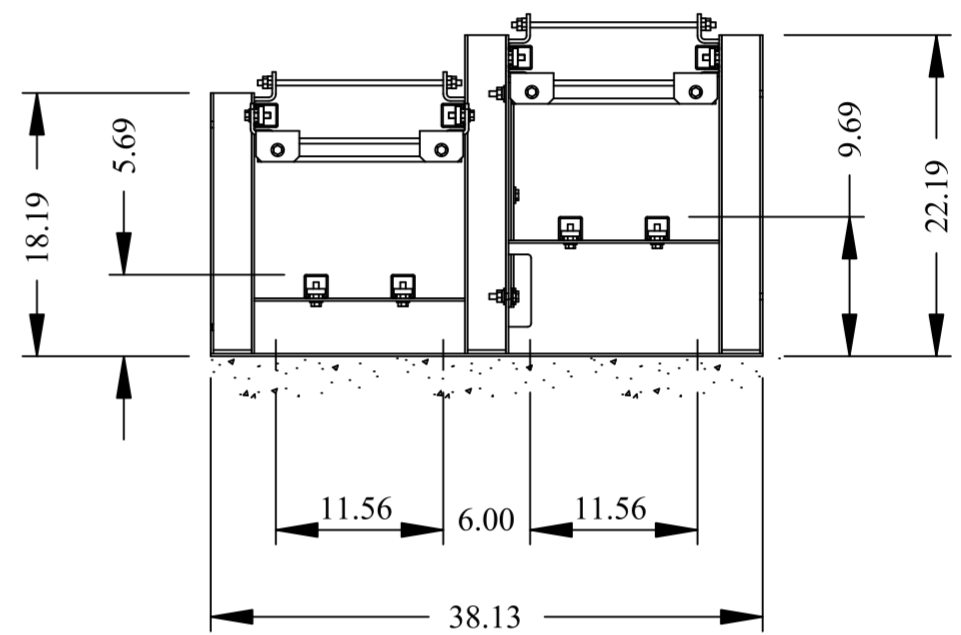
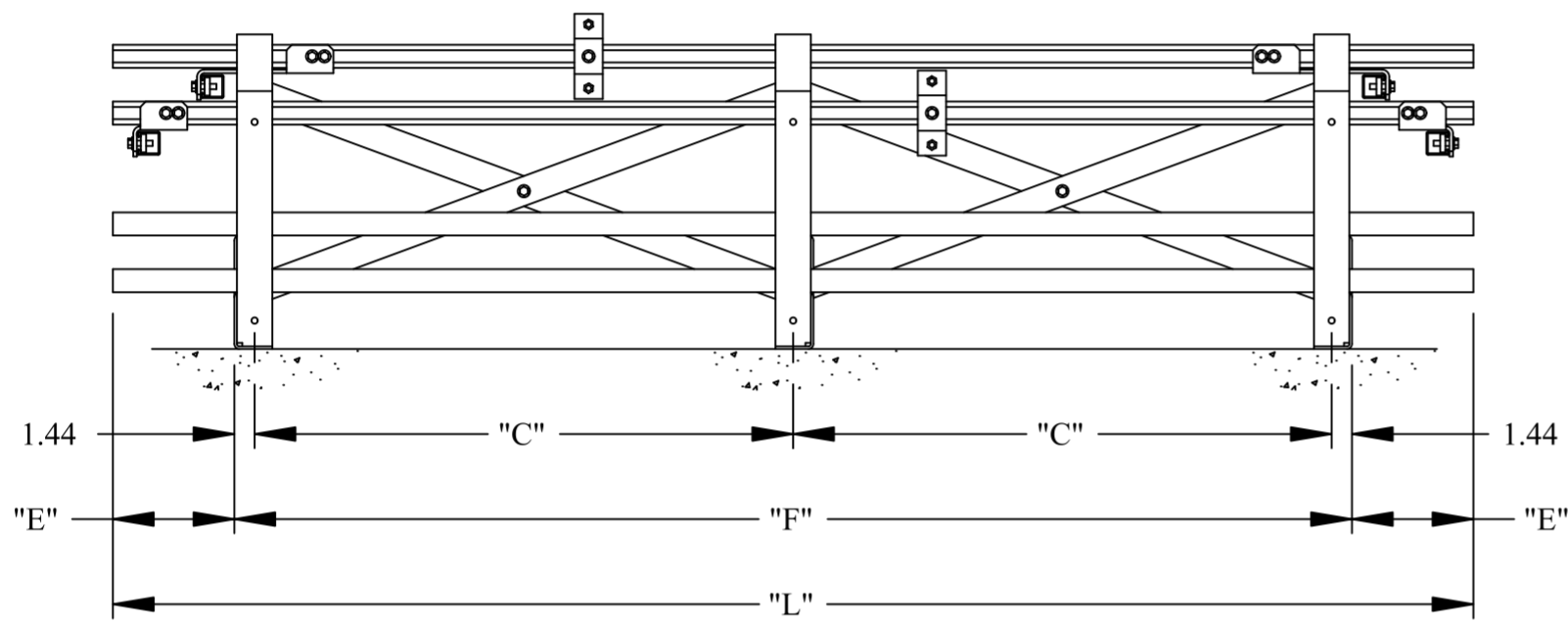


2

1

B

B




A

A

CATALOG NO.	AZMS NO.	"L" (in.)	"F" (in.)	"E" (in.)	"C" (in.)	WT. (lbs.)	# FRAMES
UE2L2S036AP	UD36-036	36.00	26.88	4.56	24.00	131	2
UE2L2S048AP	UD36-048	48.00	32.88	7.56	30.00	147	
UE2L2S060AP	UD36-060	60.00	44.88	7.56	42.00	163	
UE2L2S072AP	UD36-072	72.00	56.88	7.56	54.00	179	
UE2L2S084AP	UD36-084	84.00	56.88	13.56	54.00	195	3
UE2L2S096AP	UD36-096	96.00	86.88	4.56	42.00	247	
UE2L2S108AP	UD36-108	108.00	86.88	10.56	42.00	263	
UE2L2S120AP	UD36-120	120.00	110.88	4.56	54.00	279	
UE2L2S132AP	UD36-132	132.00	110.88	10.56	54.00	295	4
UE2L2S144AP	UD36-144	144.00	128.88	7.56	42.00	354	
UE2L2S156AP	UD36-156	156.00	128.88	13.56	42.00	370	
UE2L2S168AP	UD36-168	168.00	146.88	10.56	48.00	386	
UE2L2S180AP	UD36-180	180.00	164.88	7.56	54.00	402	5
UE2L2S192AP	UD36-192	192.00	164.88	13.56	54.00	418	
UE2L2S204AP	UD36-204	204.00	194.88	4.56	48.00	470	
UE2L2S216AP	UD36-216	216.00	194.88	10.56	48.00	486	
UE2L2S228AP	UD36-228	228.00	218.88	4.56	54.00	502	5
UE2L2S240AP	UD36-240	240.00	218.88	10.56	54.00	518	

RAIL OPTIONS, IDENTIFIED BY CATALOG NO. SUFFIX:
 AP - 2 PAINTED RAILS PER STEP (STANDARD)
 A3RP - 3 PAINTED RAILS PER STEP

TITLE: RACK, UBC ZONE 2L, 2 STEP		
		RESERVE POWER READING, PA. 19605
THIS DRAWING AND THE INFORMATION CONTAINED THEREON IS SUBMITTED CONFIDENTIALLY AND IS THE PROPERTY OF EnerSys. USE, REPRODUCTION OR DISCLOSURE OF THE CONTENT OF THIS DRAWING OR ANY PORTION THEREOF FOR ANY PURPOSE MUST BE APPROVED IN WRITING BY EnerSys.		
BATTERY: EA, EC, ES	CODE: UD36	REF.: N/A
RACK FAMILY: UE2L2SxxxAP		REV. A
DO NOT SCALE DRAWING		DATE: 06/11/2009

2

1